

ILLUSTRATED PARTS LIST

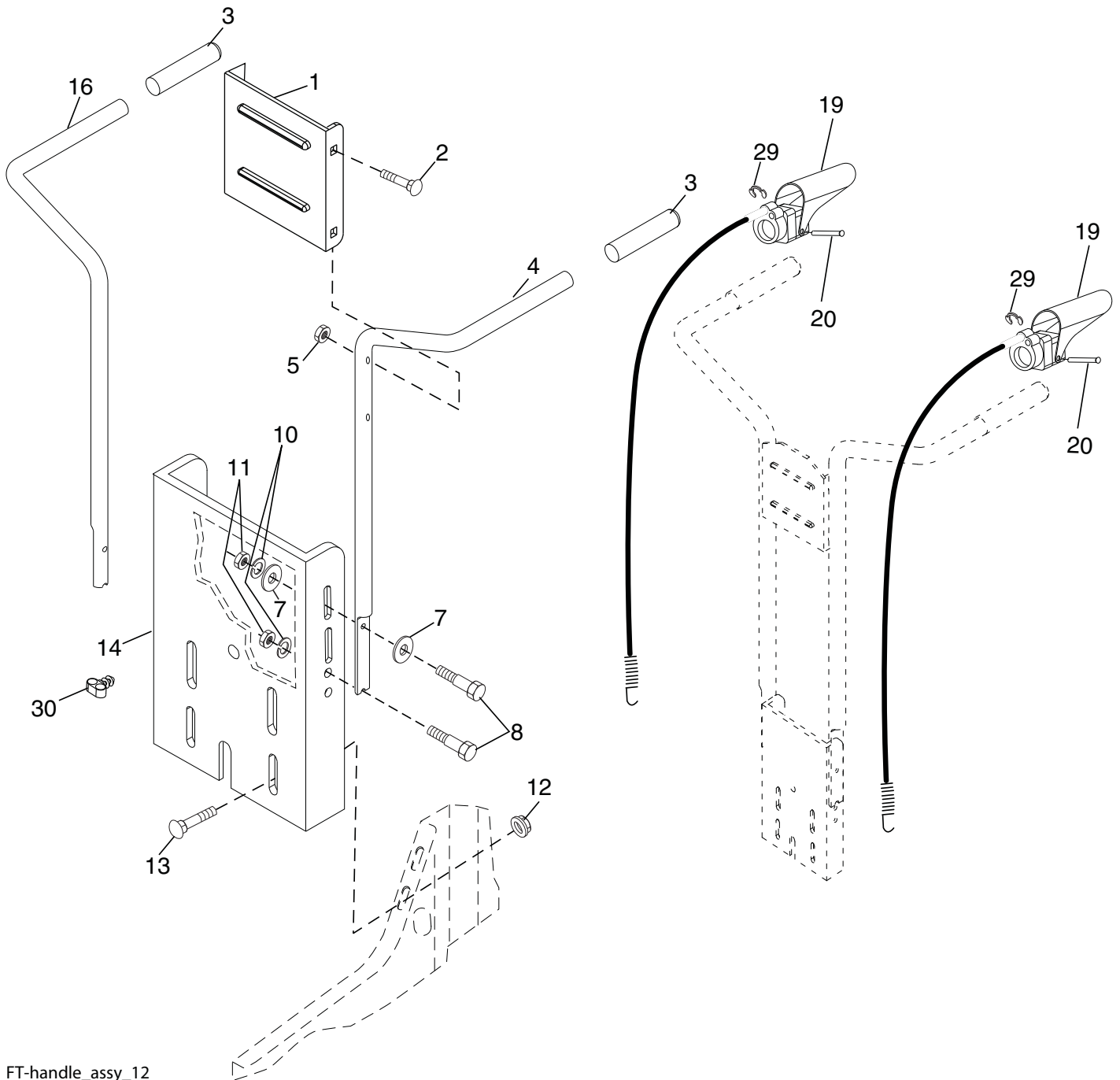
MFG. ID NO. 96083000900

MODEL NUMBER FT900

PRODUCT NUMBER 960 83 00-09

HUSQVARNA TILLER - MODEL NUMBER FT900 (MFG. ID. NO. 96083000900)

HANDLE ASSEMBLY



FT-handle_assy_12

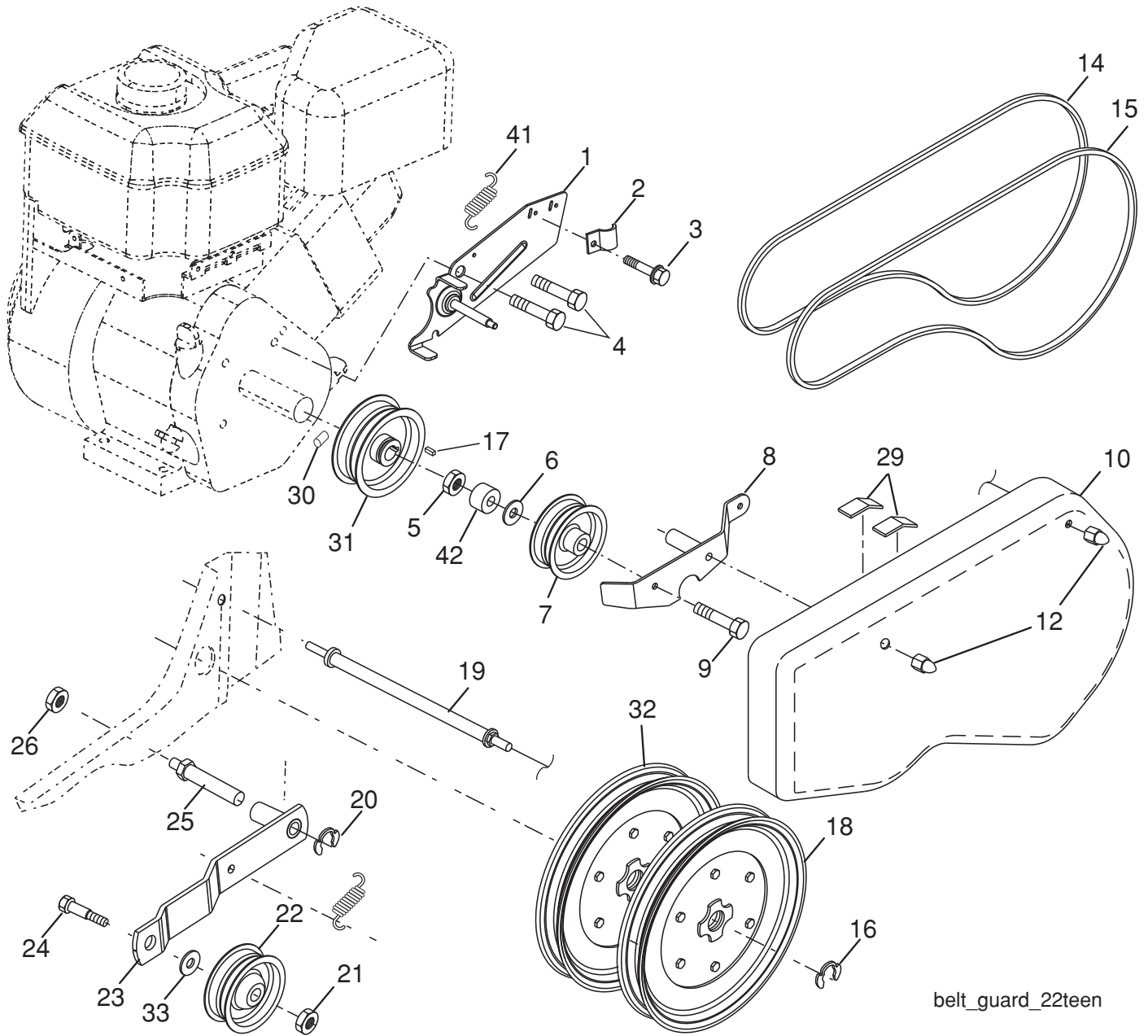
KEY NO.	PART NO.	DESCRIPTION
1	532 44 07-18	Panel, Control
2	872 14 05-12	Bolt, Round Head 5/16-18 x 1-1/2
3	532 16 57-87	Grip, Handle
4	532 44 07-14	Handle, Double Bend, LH
5	532 75 11-53	Nut, Crownlock 5/16 -18
7	819 12 14-14	Washer 3/8 x 7/8 x 14 Gauge
8	874 76 05-20	Bolt, Hex Head 5/16-18 x 1-1/4
10	810 04 05-00	Washer, Lock 5/16
11	873 22 05-00	Nut, Hex 5/16-18
12	898 00 01-29	Nut, Hex, Flanged

KEY NO.	PART NO.	DESCRIPTION
13	532 18 08-47	Bolt, Round Head 5/16-18 x 3/4
14	532 44 00-74	Panel Assembly
16	532 44 07-15	Handle, Double Bend, RH
19	532 18 85-62	Lever, Tine Control
20	532 18 85-55	Pin, Pivot
29	812 00 00-59	Retainer, Ring
30	532 18 15-80	Routing Clip

NOTE: All component dimensions given in U.S. inches.
1 inch = 25.4 mm

HUSQVARNA TILLER - MODEL NUMBER FT900 (MFG. ID. NO. 96083000900)

BELT GUARD AND PULLEY ASSEMBLY



belt_guard_22teen

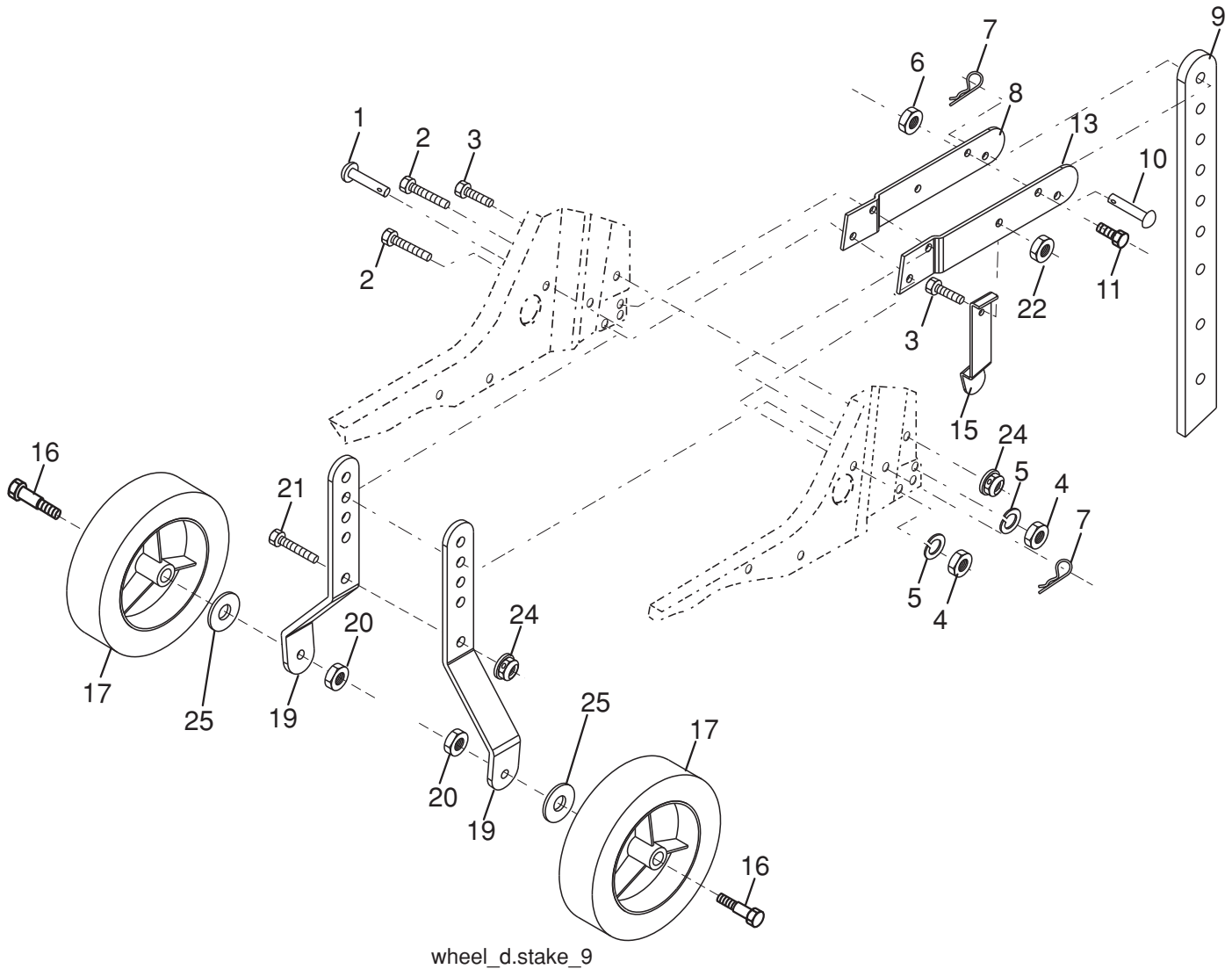
KEY NO.	PART NO.	DESCRIPTION
1	532 43 91-62	Bracket Assembly, Belt Guard
2	532 44 60-45	Clip, Cable
3	532 15 00-50	Screw #10-24 x 1/2
4	874 77 05-08	Bolt, Hex Head 5/16-24 x 1/2
5	532 75 11-53	Locknut, Hex 3/8-16
6	532 43 72-59	Spacer
7	584 91 12-01	Pulley, Idler, Reverse
8	532 44 60-51	Reverse Idler Arm Assembly
9	874 78 05-36	Cap Screw, Hex Head 3/8-16 x 2
10	532 44 07-09	Guard, Belt
12	532 10 42-13	Nut, Cap 1/4- 20
14	532 13 30-35	V-Belt (Forward Motion)
15	532 44 60-54	V-Belt (Reverse)
16	812 00 00-28	Ring, Retainer
17	532 44 60-48	Key, Square
18	532 15 12-36	Sheave, Transmission "Flat"
19	532 18 85-02	Bolt, Belt Guard

KEY NO.	PART NO.	DESCRIPTION
20	812 00 00-36	Ring, Klip
21	532 75 11-53	Locknut, Hex 3/8-16
22	532 18 05-22	Pulley, Idler
23	580 53 00-02	Arm, Idler
24	874 78 05-24	Bolt 3/8-16 x 1-1/4
25	532 10 69-68	Shaft, Idler Arm
26	873 35 05-00	Nut, Hex, Jam 5/16-18
29	532 10 92-27	Pad, Idler
30	823 20 04-04	Set Screw, Socket, Headless, C.P. 1/4-20 x 1/4
31	532 10 11-89	Sheave, Engine
32	532 15 12-23	Sheave, Transmission
33	532 15 54-15	Washer 20 x 8.5 x 2.0
41	532 18 03-07	Spring Extension
42	532 42 16-13	Spacer, Control Lever

NOTE: All component dimensions given in U.S. inches.
1 inch = 25.4 mm

HUSQVARNA TILLER - MODEL NUMBER FT900 (MFG. ID. NO. 96083000900)

WHEEL AND DEPTH STAKE ASSEMBLY

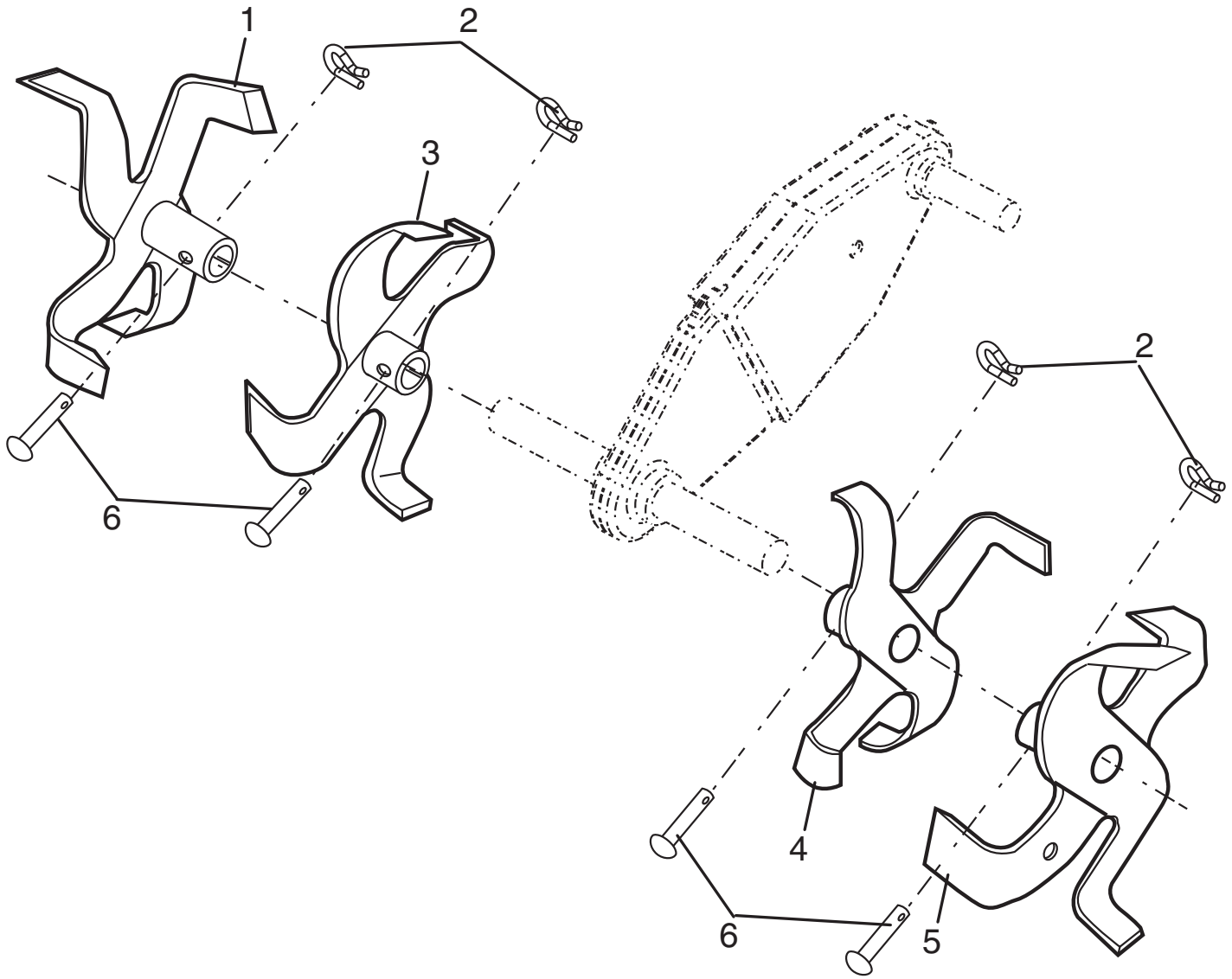


KEY NO.	PART NO.	DESCRIPTION
1	532 44 36-76	Pin, Clevis
2	874 76 05-20	Bolt, Hex Head 5/16-18 x 1-1/4
3	874 78 05-12	Bolt, Hex Head 5/16-18 x 3/4
4	873 22 05-00	Nut, Hex 5/16-18
5	810 04 05-00	Washer, Lock 5/16
6	873 80 06-00	Locknut, Hex, with Washer Insert 3/8-16
7	532 12 49-61	Clip, Hairpin
8	532 44 60-61	Support, Depth Stake, R.H.
9	532 44 60-66	Stake, Depth
10	532 44 60-59	Pin, Clevis
11	874 78 06-28	Bolt, Hex Head 3/8-16 x 1-3/4
13	532 44 60-60	Support, Depth Stake, L.H.
15	532 44 60-63	Spring, Stake

KEY NO.	PART NO.	DESCRIPTION
16	532 12 11-17	Bolt, Shoulder
17	532 42 70-25	Wheel
19	532 44 60-11	Bracket, Wheel
20	873 68 06-00	Nut, Crownlock 3/8-16
21	874 76 05-16	Bolt, Hex Head 5/16-18 x 1
22	873 80 05-00	Locknut, Hex, with Washer Insert 5/16-18
24	873 97 05-00	Locknut, Hex, Flanged 5/16-18 UNC
25	819 17 14-16	Washer 17/32 x 7/8 x 16 Gauge

NOTE: All component dimensions given in U.S. inches.
1 inch = 25.4 mm

HUSQVARNA TILLER - MODEL NUMBER FT900 (MFG. ID. NO. 96083000900)
TINE ASSEMBLY



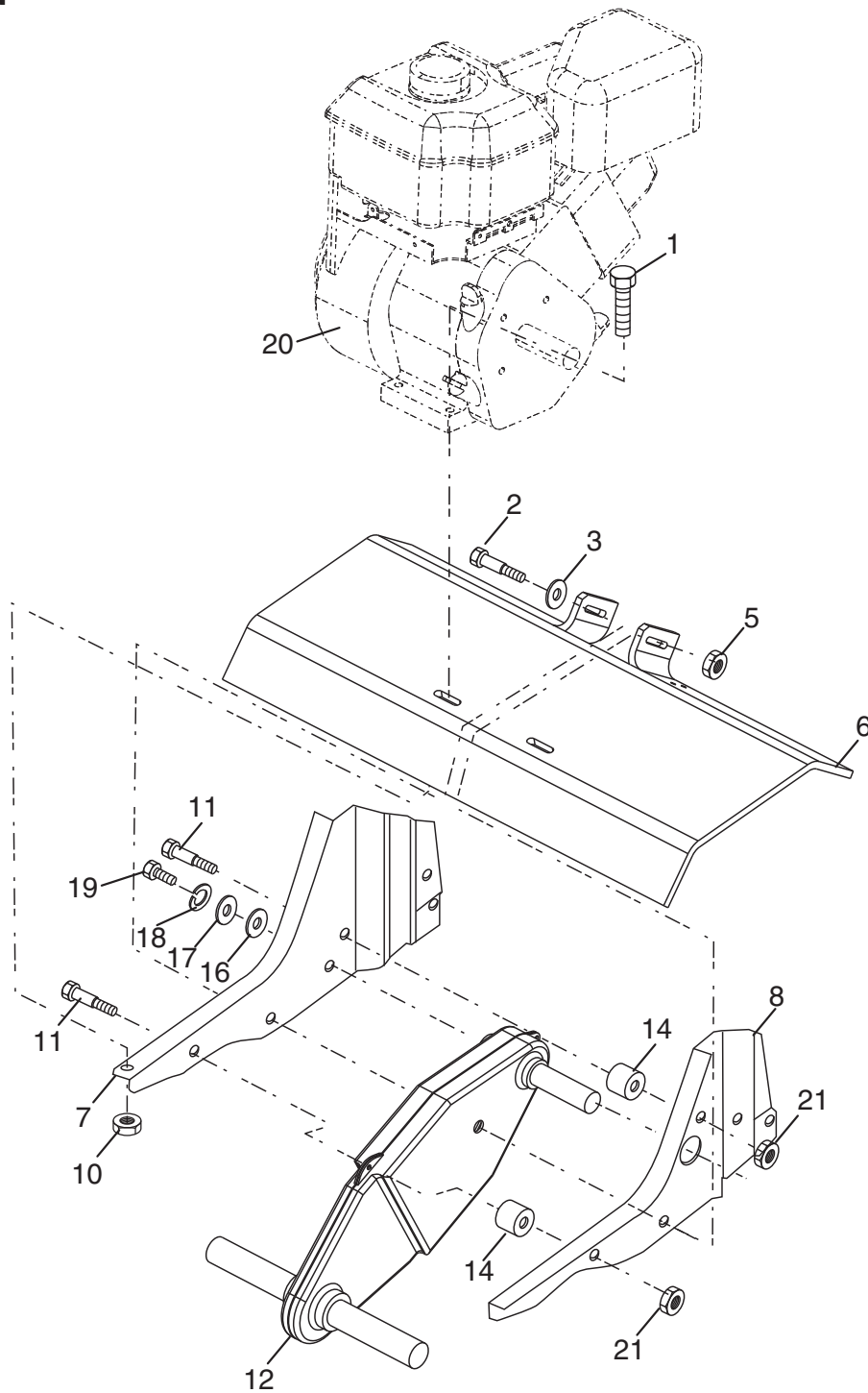
tine_ipb_3

KEY NO.	PART NO.	DESCRIPTION
1	583 85 46-02	Tine, Outer, R.H.
2	532 12 46-60	Retainer, Spring
3	583 85 44-02	Tine, Inner, R.H.
4	583 85 42-02	Tine, Inner, L.H.
5	583 85 45-02	Tine, Outer, L.H.
6	532 44 60-59	Rivet, Pan Head, Drilled, 1/4 Diameter

NOTE: All component dimensions given in U.S. inches.
 1 inch = 25.4 mm

HUSQVARNA TILLER - MODEL NUMBER FT900 (MFG. ID. NO. 96083000900)

TRANSMISSION

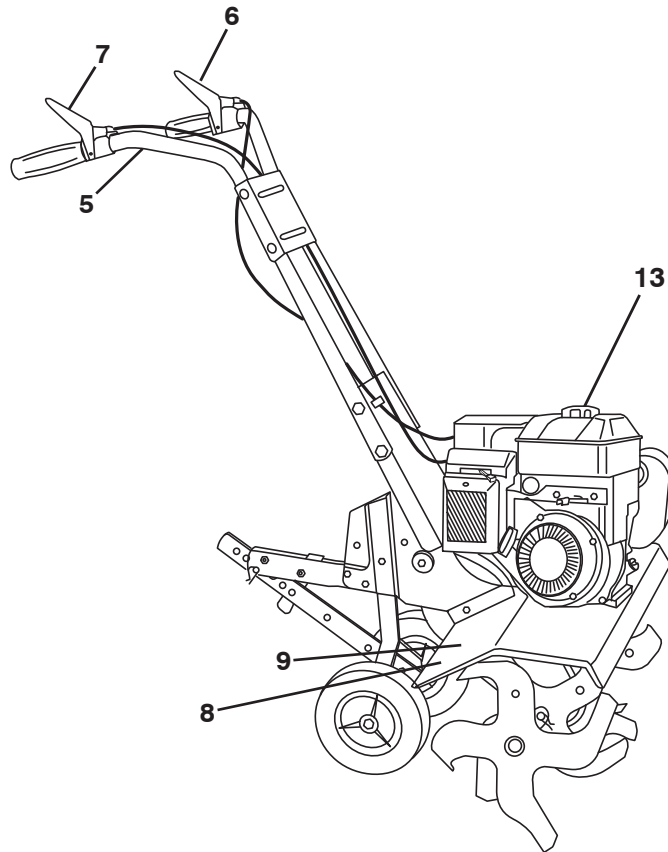


KEY NO.	PART NO.	DESCRIPTION
1	874 76 05-24	Bolt, Hex Head, Grade 2 5/16-18 x 1-1/2
2	874 78 06-52	Bolt, Hex Head 3/8-16 x 3-1/4
3	819 13 13-11	Washer 13/32 x 13/16 x 11
5	873 90 06-00	Locknut, Hex 3/8-16
6	532 44 07-04	Shield, Tine
7	532 44 60-06	Bracket, Engine, R.H.
8	532 44 60-03	Bracket, Engine, L.H.
10	873 97 05-00	Nut, Hex 5/16-18
11	532 18 79-12	Bolt, Hex Head 5/16-18 x 2-1/2
12	532 15 12-22	Transmission
14	532 44 65-48	Spacer, Split
16	819 09 14-12	Washer 9/32 x 7/8 x 12 Gauge

KEY NO.	PART NO.	DESCRIPTION
17	819 09 20-16	Washer 9/32 x 1-1/4 x 16 Gauge
18	810 04 04-00	Washer, Lock 1/4
19	874 61 04-12	Bolt, Hex Head, Grade 5 1/4-28 x 3/4
20	---	Engine, Briggs & Stratton, Model Number 130G32-0056-F1 (For engine service and replacement parts, call Briggs & Stratton at 1-800-233-3723)
21	532 75 11-53	Nut 5/16-18

NOTE: All component dimensions given in U.S. inches.
1 inch = 25.4 mm

HUSQVARNA TILLER - MODEL NUMBER FT900 (MFG. ID. NO. 96083000900)
DECALS



KEY NO.	PART NO.	DESCRIPTION
5	532 11 06-14	Decal, Hand Placement
6	532 15 87-00	Decal, Control Forward
7	532 15 87-01	Decal, Control Reverse
8	532 12 00-76	Decal, Warning, Rotating Tines
9	532 42 29-72	Decal, Tine Shield
13	532 42 38-30	Decal, Warning, Ethanol (E85)
--	115 66 55-27	Manual, Operator's, English
--	115 66 55-32	Manual, Operator's, French